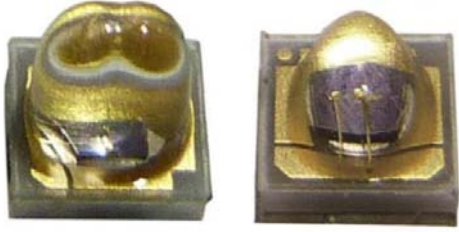


## Ligitek 3535 High Power Infra Red emitters



Features include:-

- Packaged Lens Design
- Low Profile
- Increased Illumination uniformity

Rectangular Light Pattern

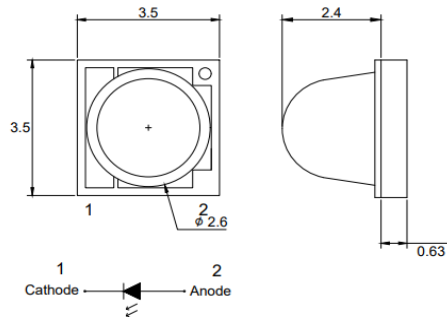
- Improved Illumination uniformity
- Upgrade Vision Coverage
- Enhanced peripheral image quality
- Directivity radiation

Applications

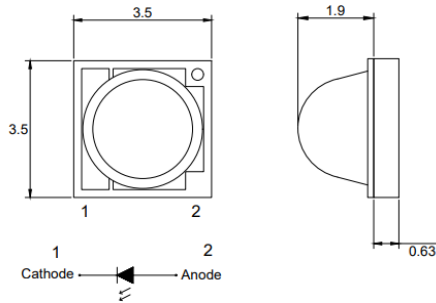
- CCTV & Security

Part No			Wattage	Power (mW/sr)		Viewing angle 2θ½		
	Chip Material	Peak Wavelength (nm)		Min.	Max.			
LG-CNT3535DIRR-1-T1A-LS6-OS	AlGaAs	850	5.5W 1.5A	620	1300	60°		
LG-CNT3535DIRR-1-T1A-LS9-OS				360	780	90°		
LG-CNT3535DIRR-1-T1A-LSA-OS				300	600	(X)150°(Y)100°		
LG-CNT3535DIRR-1-T1A-LSC-OS				890	1700	45°		
LG-CNT3535DIRR-1-T1A-LSD-OS				430	830	(X)100°(Y)60°		
LG-CNT3535DIRR-1-T1A-LSE-OS				620	1200	57°		
LG-CNT3535MIRR-1-T1A-LSA-OS		940			300	640	(X)150°(Y)100°	
LG-CNT3535MIRR-1-T1A-LSD-OS					430	900	(X)100°(Y)60°	
LG-CNT3535MIRR-1-T1A-LSE-OS					620	1260	57°	
LG-CU3535HIRR-1-T1A-LS6-OS		AlGaAs	850	2.3W 1A	300	400	60°	
LG-CU3535HIRR-1-T1A-LS9-OS					250	330	90°	
LG-CU3535HIRR-1-T1A-LS13-OS					140	210	130°	
LG-CN3535HIRR-1-T1A-LSA-OS					120	170	(X)150°(Y)100°	
LG-CN3535HIRR-1-T1A-LSB-OS					520	700	(X)48°(Y)30°	
LG-CN3535HIRR-1-T1A-LSC-OS					430	560	45°	
LG-CN3535HIRR-1-T1A-LSD-OS					210	280	(X)100°(Y)60°	
LG-CN3535HIRR-1-T1A-LSE-OS			300	375	57°			
LG-CU3535HIRR-1-T350-LS6-OS			850	1.2W 500mA		170	240	60°
LG-CU3535HIRR-1-T350-LS9-OS						70	100	90°
LG-CU3535HIRR-1-T350-LS13-OS						40	70	130°
LG-CU3535HIRR-1-T350-LSA-OS	40					70	(X)130°(Y)85°	
LG-CU3535HIRR-1-T350-LSC-OS	210					290	30°	
LG-CU3535HIRR-1-T350-LSD-OS	100					130	(X)85°(Y)40°	

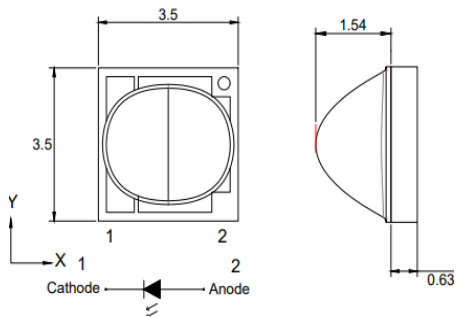
**LS6 dimension ( mm )**



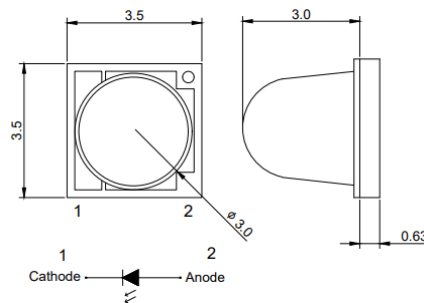
**LS9 dimension ( mm )**



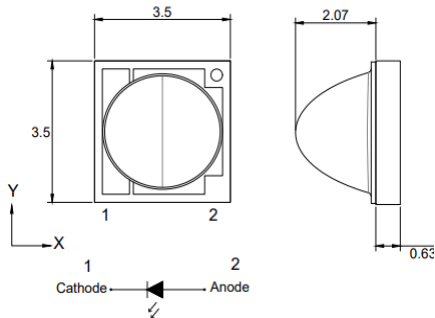
**LSA dimension elliptical ( mm )**



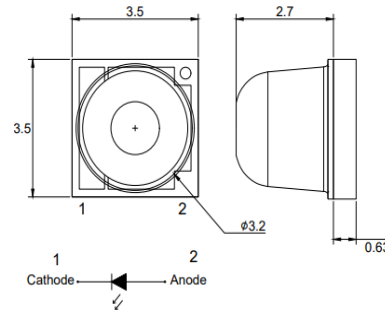
**LSC dimension ( mm )**



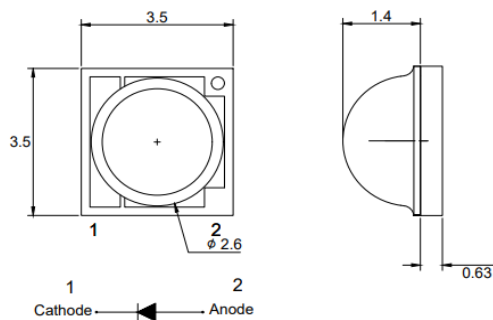
**LSD dimension elliptical ( mm )**



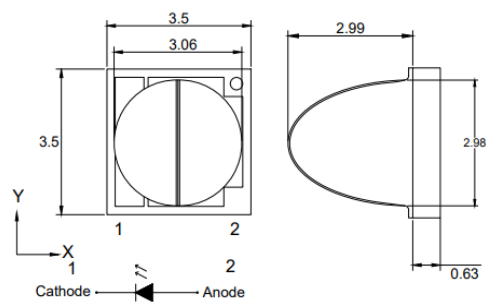
**LSE dimension ( mm )**



**LS13 dimension ( mm )**



**LSB dimension ( mm )**



This selector is for guidance only, please contact our office for the latest detailed specifications  
Specifications may be subject to change without notice.